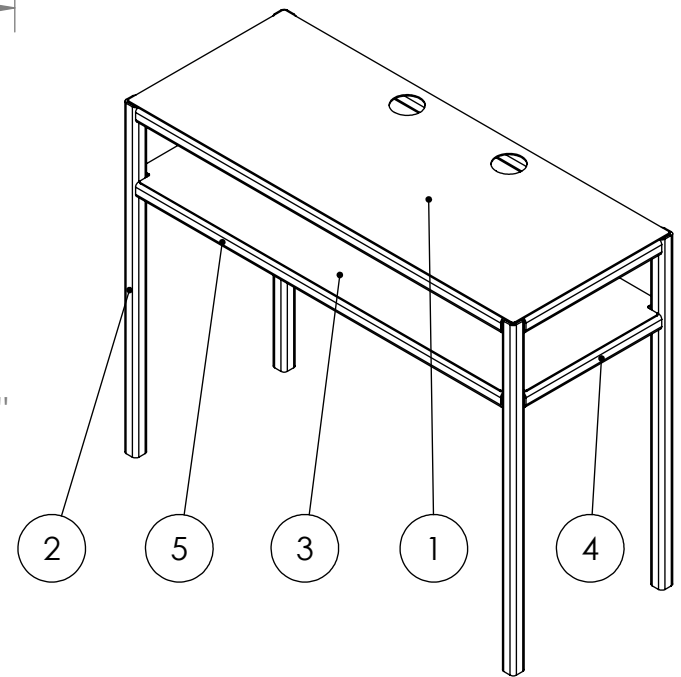
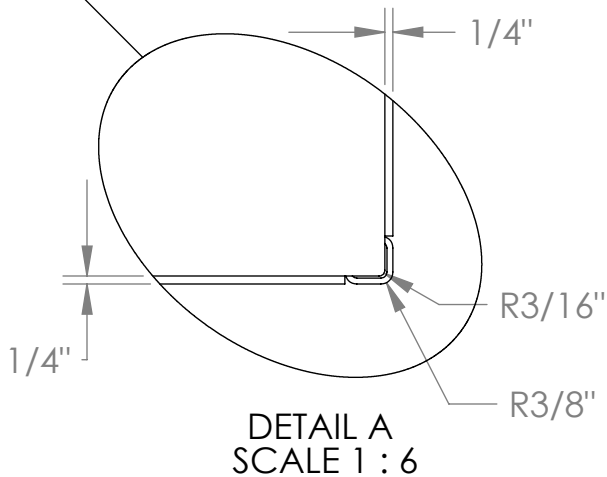
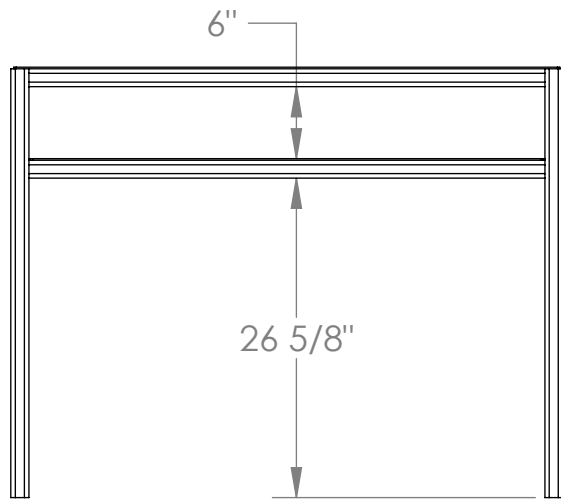
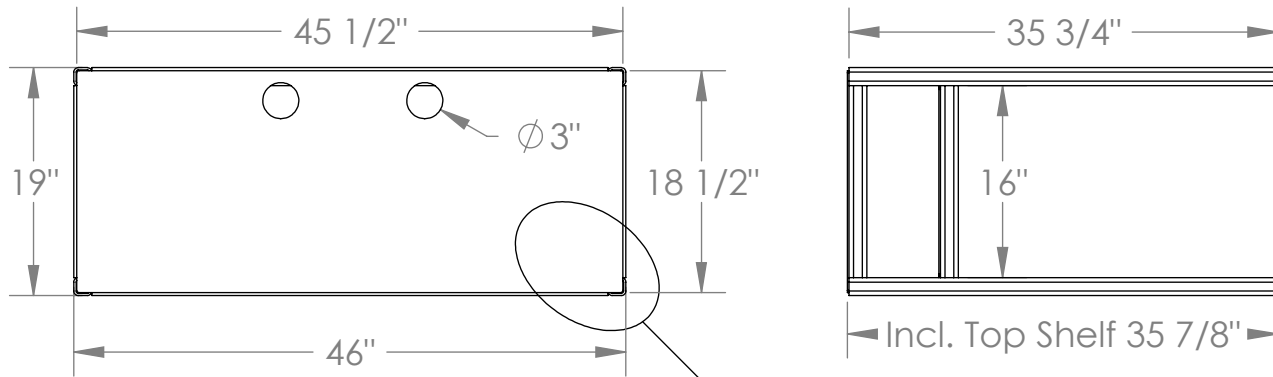


ITEM #	PART NUMBER	DESCRIPTION	QTY	MATERIAL	WEIGHT	LENGTH
1	Top Shelf	TOP SHELF	1	.125	29.151	?
2	Leg - 36in	LEG - 35.75" LENGTH	4	1.5 X 1.5 X .1875	9.005	35.75"
3	Bottom Shelf	BOTTOM SHELF	1	.125	28.884	?
4	Side Cross Tube - 16in	SIDE CROSS TUBE - 16" LENGTH	4	1.5 X 1.5 X .1875	4.030	16"
5	Front Cross Tube - 43in	FRONT CROSS TUBE - 43" LENGTH	4	1.5 X 1.5 X .1875	10.831	43"



Page 1 of 1

VERIFIED:

PROPRIETARY AND CONFIDENTIAL
THE INFORMATION CONTAINED IN THIS DRAWING IS THE SOLE PROPERTY OF BUNDA 3-DIMENSIONAL DRAFTING & DESIGN. ANY REPRODUCTION WITHOUT WRITTEN PERMISSION IS PROHIBITED.

ALL DIMENSIONS ARE IN INCHES UNLESS OTHERWISE NOTED

TOLERANCES:
FRACTIONAL: $\pm 1/32"$
ANGULAR: ± 1 Degree
TWO PLACE DECIMAL: $\pm .01"$
THREE PLACE DECIMAL: $\pm .001"$

	NAME	DATE
DRAWN	KKB	5/4/2011
CHECKED		

DVR STAND ASSY
WEIGHT: 153.50 lb

SCALE: 1:16
DO NOT SCALE DRAWING

B3D

DVR Stand Assy

DVR STAND ASSY



THIS DRAWING PRINTED ON: 5/10/2011