

Page 1 of 8

VERIFIED:

PROPRIETARY AND CONFIDENTIAL

THE INFORMATION CONTAINED IN THIS DRAWING IS THE SOLE PROPERTY OF BUNDA 3-DIMENSIONAL DRAFTING & DESIGN. ANY REPRODUCTION WITHOUT WRITTEN PERMISSION IS PROHIBITED.

ALL DIMENSIONS ARE IN INCHES UNLESS OTHERWISE NOTED

TOLERANCES:

FRACTIONAL:  $\pm 1/32"$   
 ANGULAR:  $\pm 1$  Degree  
 TWO PLACE DECIMAL:  $\pm .01"$   
 THREE PLACE DECIMAL:  $\pm .001"$

	NAME	DATE
DRAWN	KKB	9/12/2011
CHECKED		

WEIGHT: 2762.91 lb

SCALE: 1:16  
 DO NOT SCALE DRAWING

**B3D**

U-Bolt Cart



THIS DRAWING PRINTED ON: 9/14/2011

5

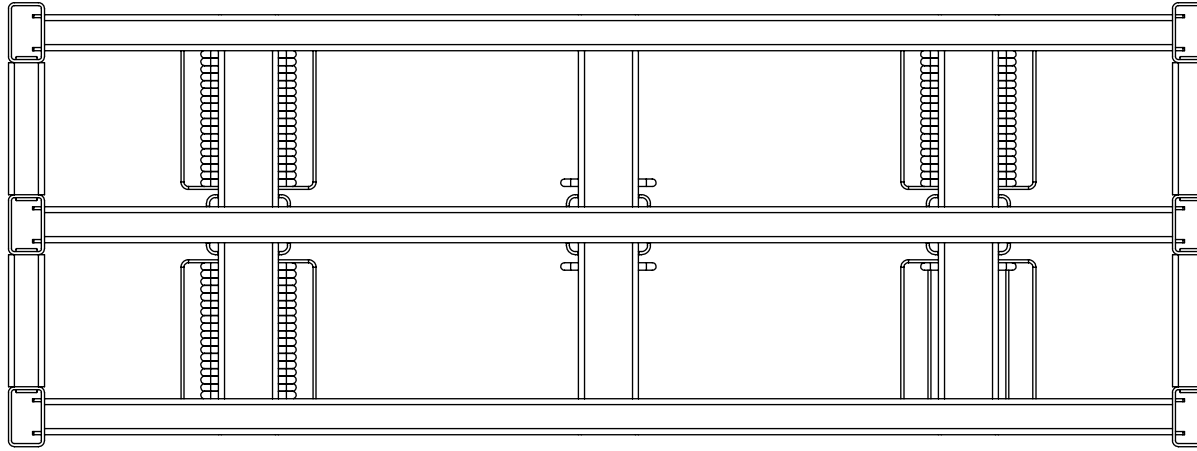
4

3

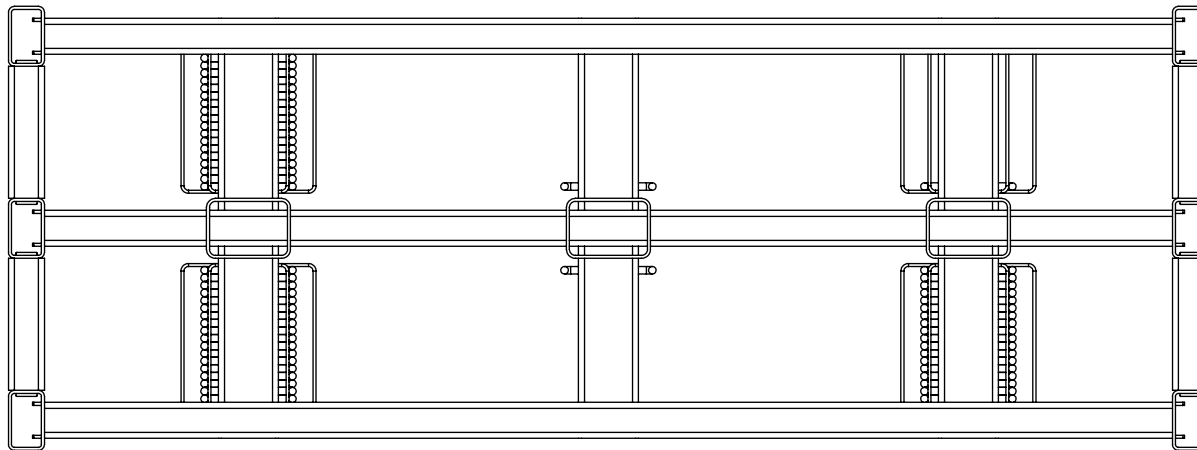
2

1

TOP



BOTTOM



Page 2 of 8

VERIFIED:

PROPRIETARY AND CONFIDENTIAL

THE INFORMATION CONTAINED IN THIS DRAWING IS THE SOLE PROPERTY OF BUNDA 3-DIMENSIONAL DRAFTING & DESIGN. ANY REPRODUCTION WITHOUT WRITTEN PERMISSION IS PROHIBITED.

ALL DIMENSIONS ARE IN INCHES UNLESS OTHERWISE NOTED

TOLERANCES:

FRACTIONAL: ± 1/32"  
ANGULAR: ± 1 Degree  
TWO PLACE DECIMAL: ± .01"  
THREE PLACE DECIMAL: ± .001"

NAME

KKB

DATE

9/12/2011

DRAWN

CHECKED

B3D

U-Bolt Cart

WEIGHT: 2762.91 lb

SCALE: 1:16  
DO NOT SCALE DRAWING



THIS DRAWING PRINTED ON: 9/14/2011

5

4

3

2

1

5

4

3

2

1

E

E

D

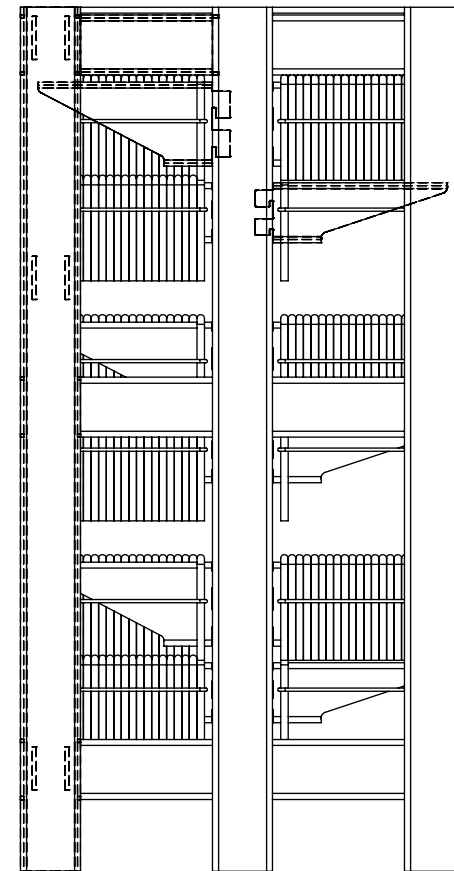
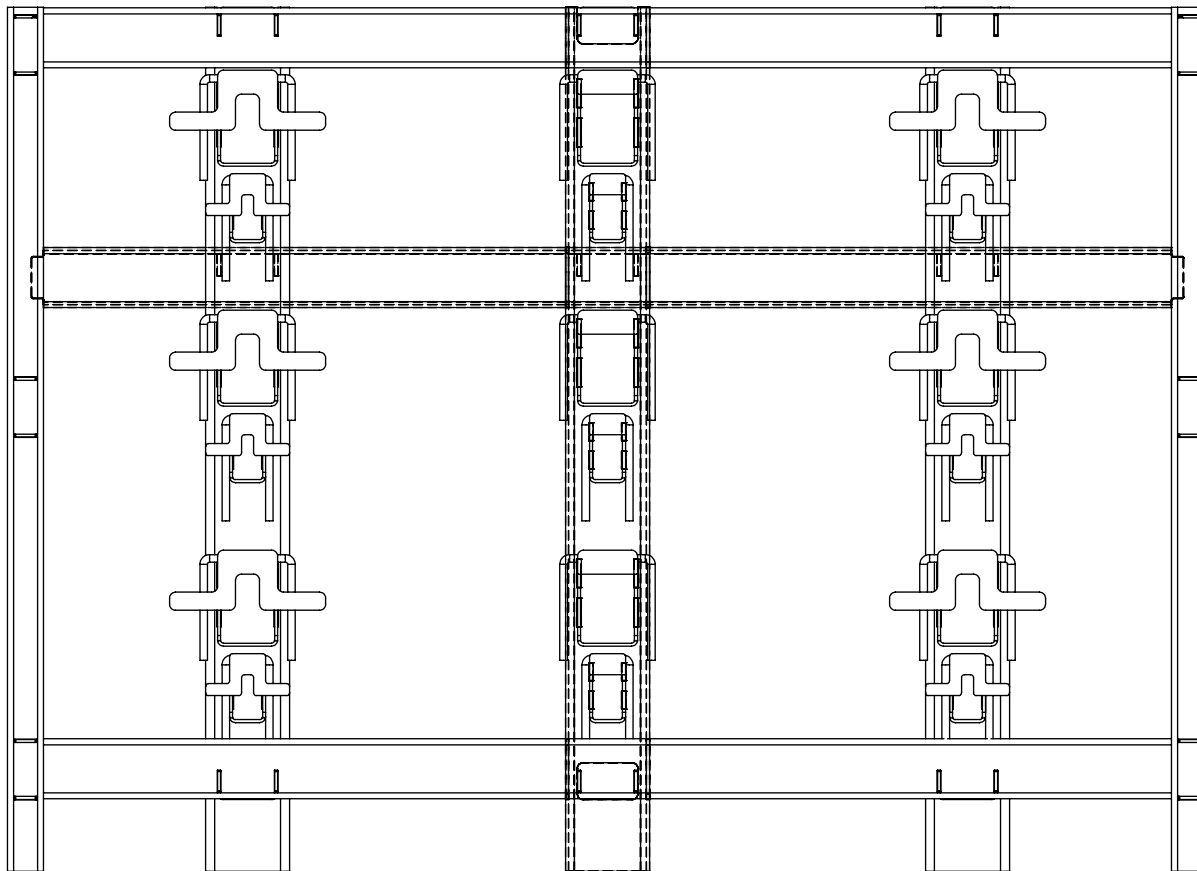
D

C

C

B

B



### MORTISE & TENON JOINERY

Page 3 of 8

VERIFIED:

**PROPRIETARY AND CONFIDENTIAL**

THE INFORMATION CONTAINED IN THIS DRAWING IS THE SOLE PROPERTY OF BUNDA 3-DIMENSIONAL DRAFTING & DESIGN. ANY REPRODUCTION WITHOUT WRITTEN PERMISSION IS PROHIBITED.

ALL DIMENSIONS ARE IN INCHES UNLESS OTHERWISE NOTED

**TOLERANCES:**

FRACTIONAL: ± 1/32"  
ANGULAR: ± 1 Degree  
TWO PLACE DECIMAL: ± .01"  
THREE PLACE DECIMAL: ± .001"

**NAME**

KKB

**DATE**

9/12/2011

**DRAWN**

**CHECKED**

WEIGHT: 2762.91 lb

**SCALE: 1:16**  
**DO NOT SCALE DRAWING**

# B3D

## U-Bolt Cart



THIS DRAWING PRINTED ON: 9/14/2011

5

4

3

2

1

A

A

5

4

3

2

1

E

E

D

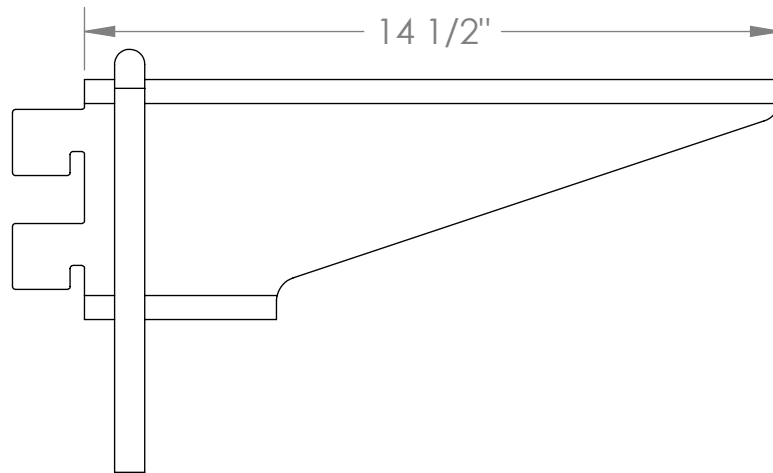
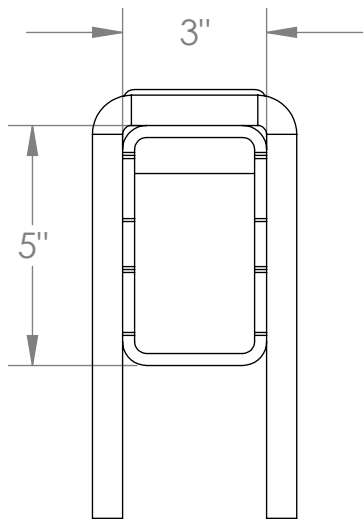
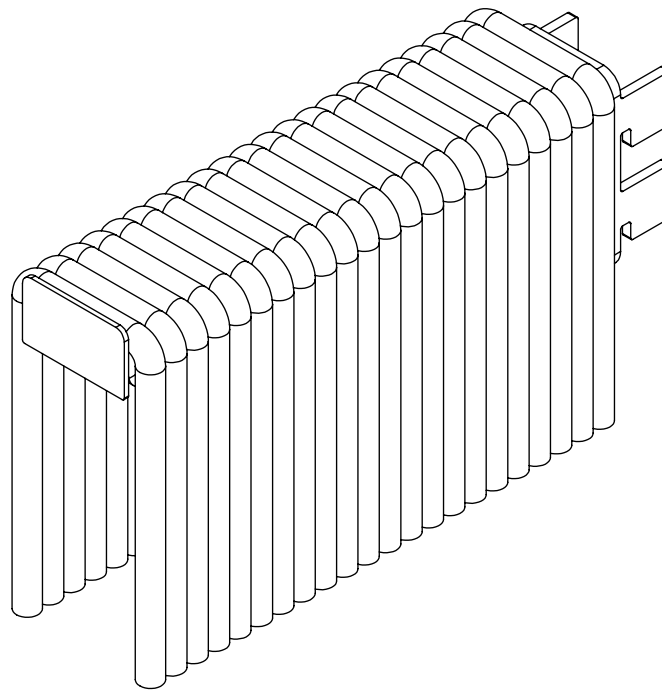
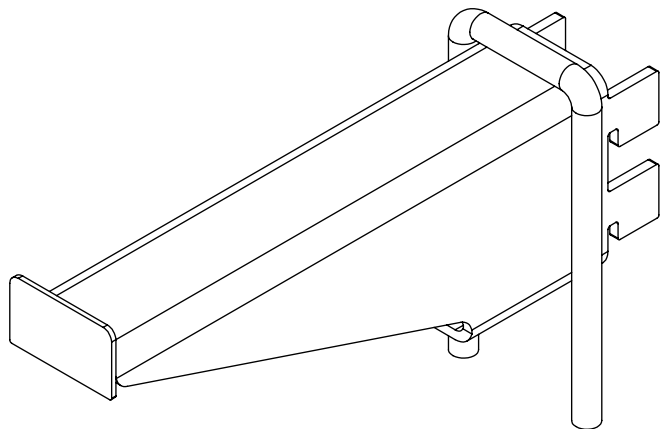
D

C

C

B

B



Page 4 of 8

VERIFIED:

PROPRIETARY AND CONFIDENTIAL

THE INFORMATION CONTAINED IN THIS DRAWING IS THE SOLE PROPERTY OF BUNDA 3-DIMENSIONAL DRAFTING & DESIGN. ANY REPRODUCTION WITHOUT WRITTEN PERMISSION IS PROHIBITED.

ALL DIMENSIONS ARE IN INCHES UNLESS OTHERWISE NOTED

TOLERANCES:

FRACTIONAL: ± 1/32"  
ANGULAR: ± 1 Degree  
TWO PLACE DECIMAL: ± .01"  
THREE PLACE DECIMAL: ± .001"

NAME

DATE

DRAWN

KKB

9/12/2011

CHECKED

B3D

U-Bolt Cart

WEIGHT: 11.87 lb

SCALE: 1:4

DO NOT SCALE DRAWING



THIS DRAWING PRINTED ON: 9/14/2011

5

4

3

2

1

A

A

5

4

3

2

1

E

E

D

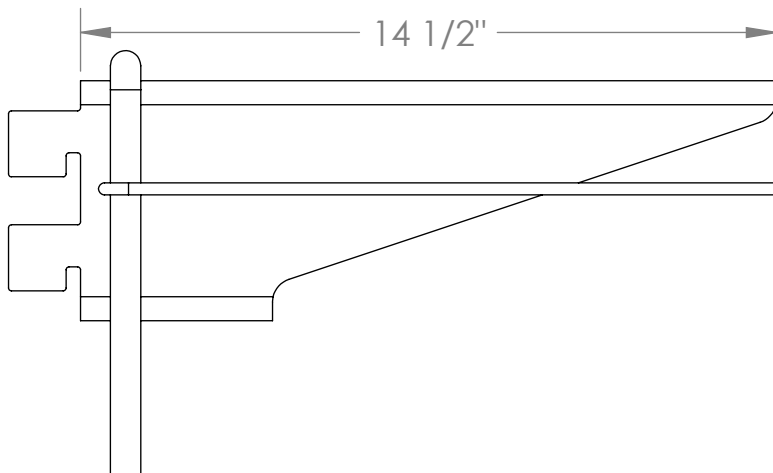
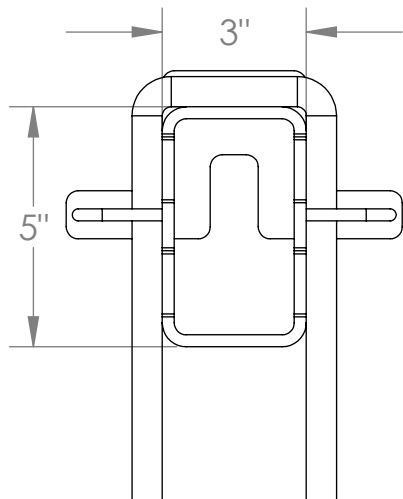
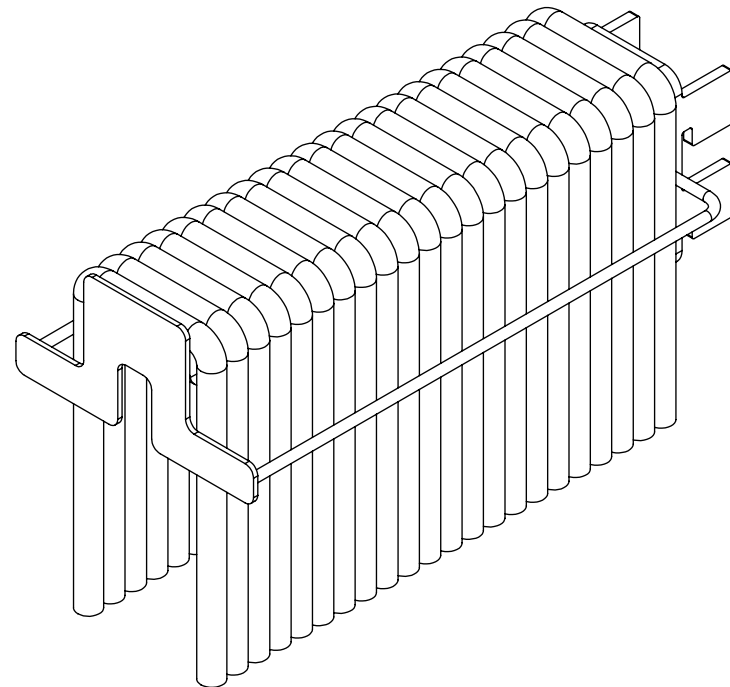
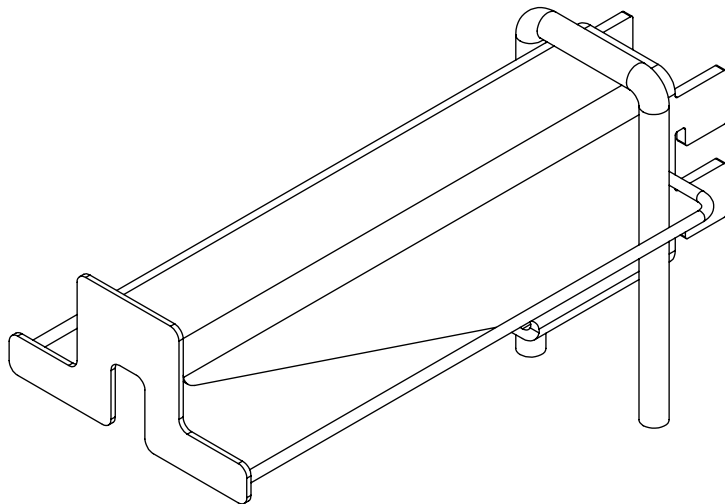
D

C

C

B

B



Page 5 of 8

VERIFIED:

PROPRIETARY AND CONFIDENTIAL

THE INFORMATION CONTAINED IN THIS DRAWING IS THE SOLE PROPERTY OF BUNDA 3-DIMENSIONAL DRAFTING & DESIGN. ANY REPRODUCTION WITHOUT WRITTEN PERMISSION IS PROHIBITED.

ALL DIMENSIONS ARE IN INCHES UNLESS OTHERWISE NOTED

TOLERANCES:

FRACTIONAL: ± 1/32"  
ANGULAR: ± 1 Degree  
TWO PLACE DECIMAL: ± .01"  
THREE PLACE DECIMAL: ± .001"

NAME

DATE

DRAWN

KKB

9/12/2011

CHECKED

B3D

U-Bolt Cart

WEIGHT: 12.56 lb

SCALE: 1:4  
DO NOT SCALE DRAWING



THIS DRAWING PRINTED ON: 9/14/2011

5

4

3

2

1

A

A

5

4

3

2

1

E

E

D

D

C

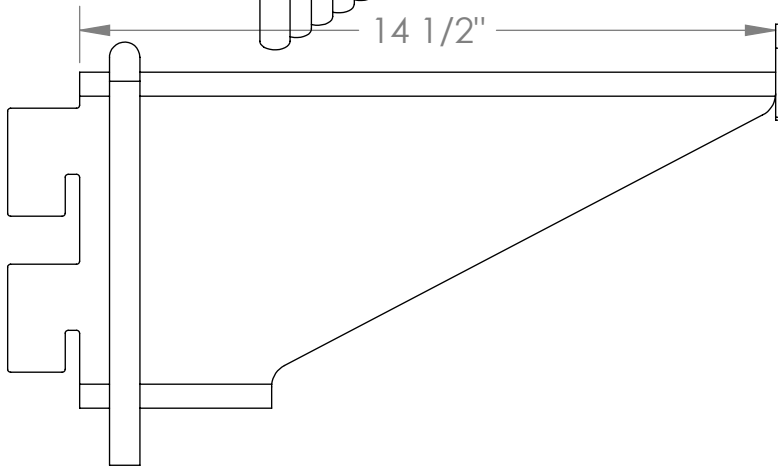
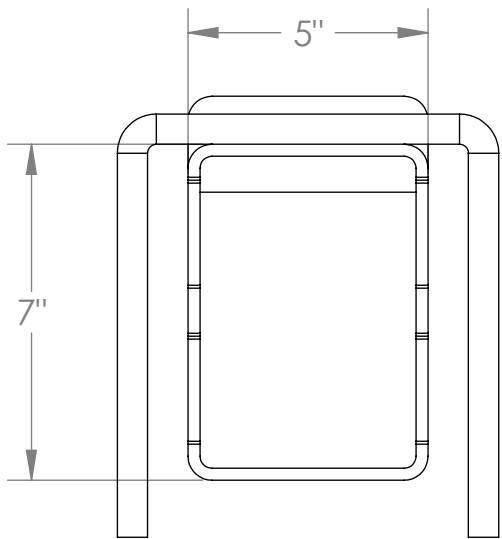
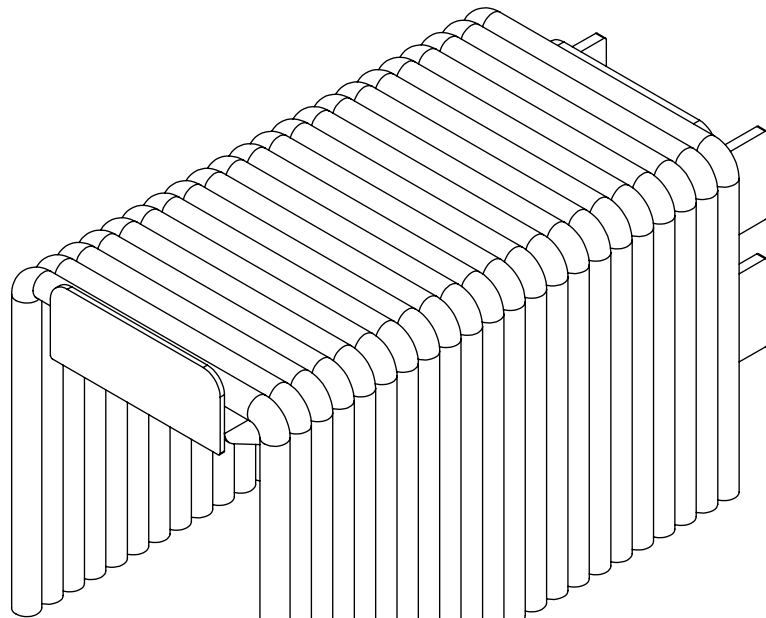
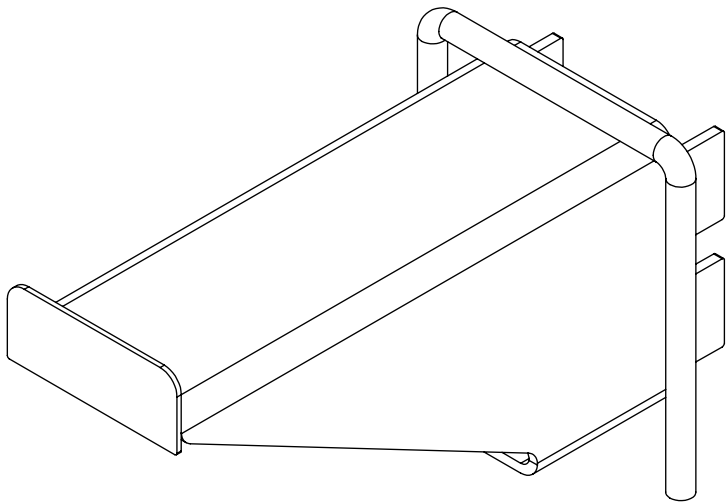
C

B

B

A

A



Page 6 of 8

VERIFIED:

**PROPRIETARY AND CONFIDENTIAL**  
 THE INFORMATION CONTAINED IN THIS DRAWING IS THE SOLE PROPERTY OF BUNDA 3-DIMENSIONAL DRAFTING & DESIGN. ANY REPRODUCTION WITHOUT WRITTEN PERMISSION IS PROHIBITED.

ALL DIMENSIONS ARE IN INCHES UNLESS OTHERWISE NOTED

**TOLERANCES:**  
 FRACTIONAL: ± 1/32"  
 ANGULAR: ± 1 Degree  
 TWO PLACE DECIMAL: ± .01"  
 THREE PLACE DECIMAL: ± .001"

	NAME	DATE
DRAWN	KKB	9/12/2011
CHECKED		

WEIGHT: 17.91 lb

**SCALE: 1:4**  
**DO NOT SCALE DRAWING**

**B3D**

U-Bolt Cart



THIS DRAWING PRINTED ON: 9/14/2011

5

4

3

2

1

5

4

3

2

1

E

E

D

D

C

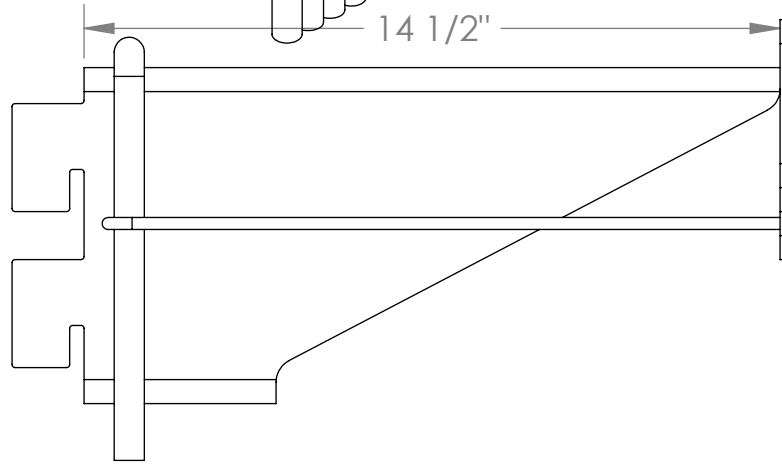
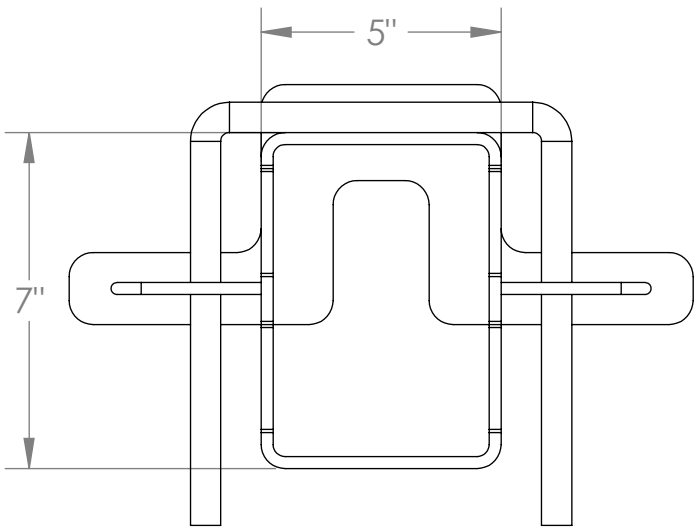
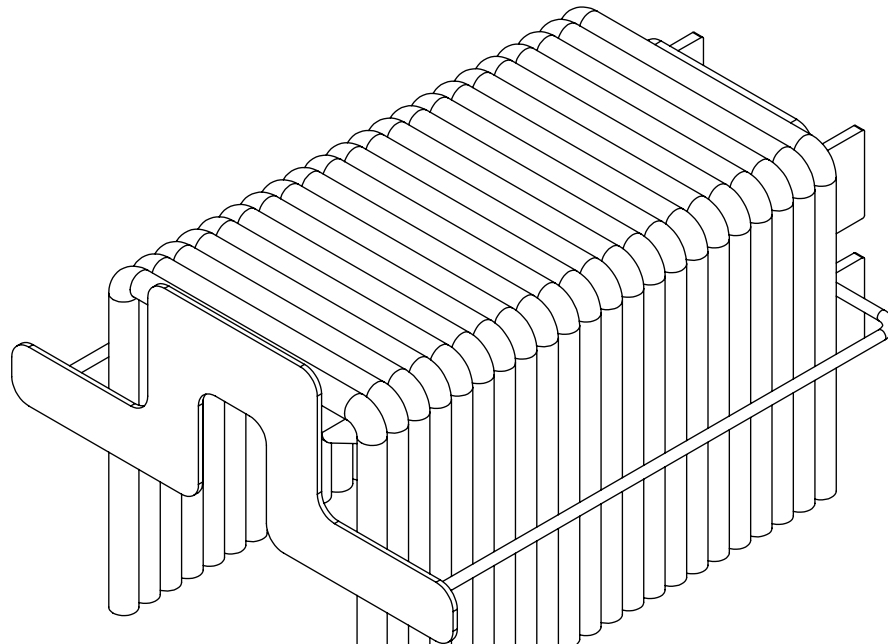
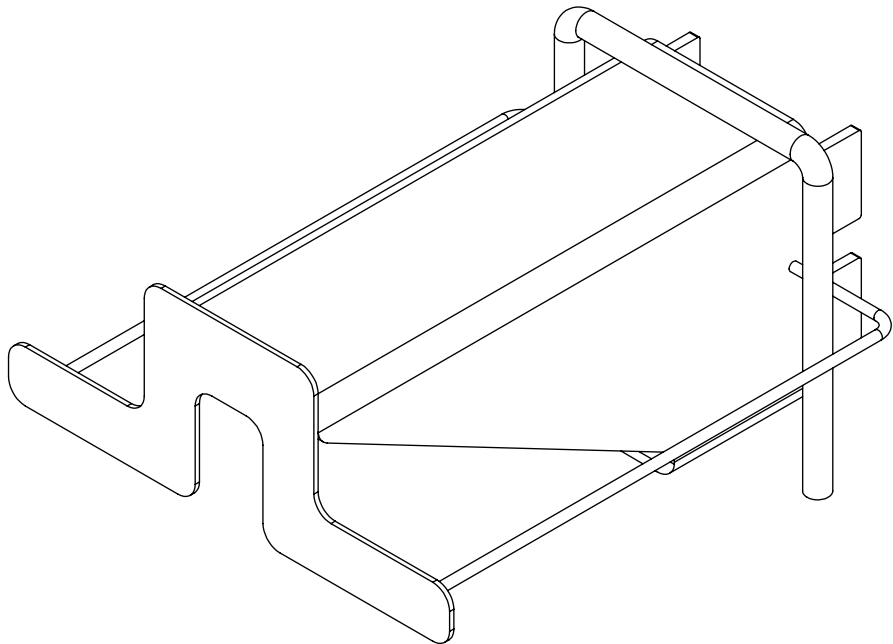
C

B

B

A

A



Page 7 of 8

VERIFIED:

PROPRIETARY AND CONFIDENTIAL

THE INFORMATION CONTAINED IN THIS DRAWING IS THE SOLE PROPERTY OF BUNDA 3-DIMENSIONAL DRAFTING & DESIGN. ANY REPRODUCTION WITHOUT WRITTEN PERMISSION IS PROHIBITED.

ALL DIMENSIONS ARE IN INCHES UNLESS OTHERWISE NOTED

TOLERANCES:

FRACTIONAL: ± 1/32"  
ANGULAR: ± 1 Degree  
TWO PLACE DECIMAL: ± .01"  
THREE PLACE DECIMAL: ± .001"

NAME

DRAWN

CHECKED

DATE

9/12/2011

WEIGHT: 63.56 lb

SCALE: 1:4

DO NOT SCALE DRAWING

B3D

U-Bolt Cart



THIS DRAWING PRINTED ON: 9/14/2011

5

4

3

2

1

5

4

3

2

1

E

E

D

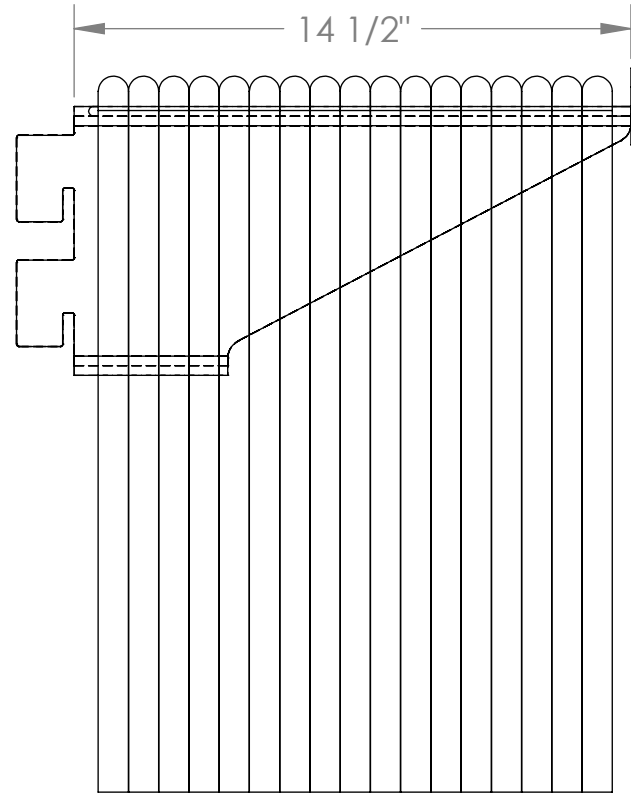
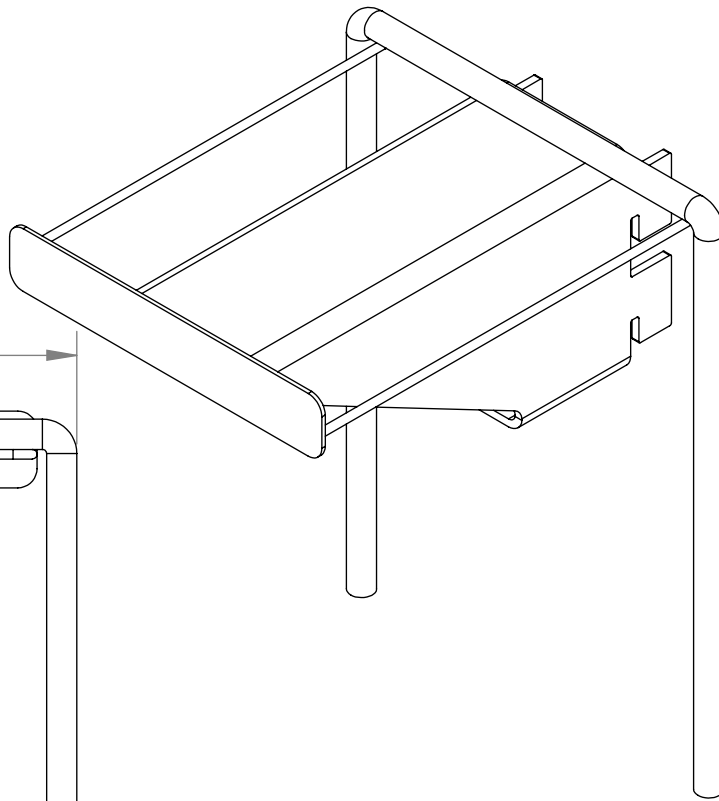
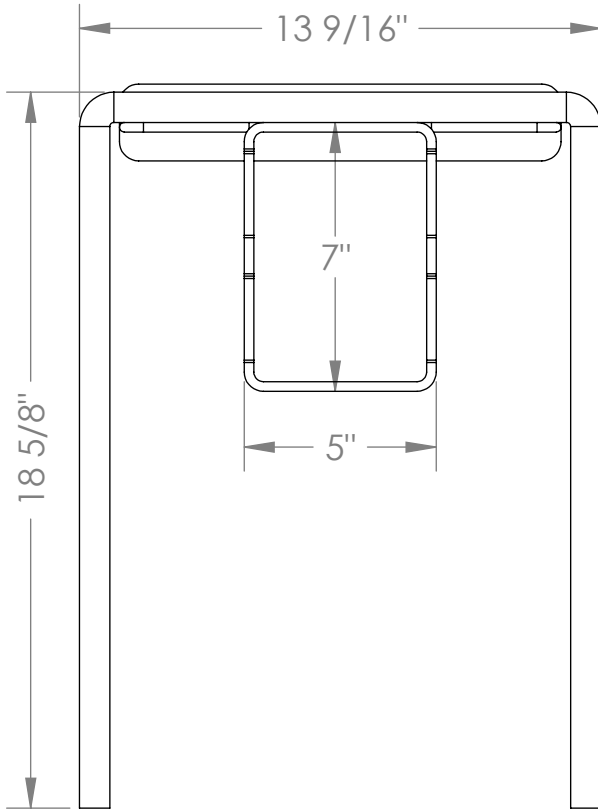
D

C

C

B

B



Page 8 of 8

VERIFIED:

PROPRIETARY AND CONFIDENTIAL

THE INFORMATION CONTAINED IN THIS DRAWING IS THE SOLE PROPERTY OF BUNDA 3-DIMENSIONAL DRAFTING & DESIGN. ANY REPRODUCTION WITHOUT WRITTEN PERMISSION IS PROHIBITED.

ALL DIMENSIONS ARE IN INCHES UNLESS OTHERWISE NOTED

TOLERANCES:

FRACTIONAL: ± 1/32"  
ANGULAR: ± 1 Degree  
TWO PLACE DECIMAL: ± .01"  
THREE PLACE DECIMAL: ± .001"

NAME

KKB

DATE

9/12/2011

DRAWN

CHECKED

B3D

U-Bolt Cart

WEIGHT: 23.48 lb

SCALE: 1:5  
DO NOT SCALE DRAWING



THIS DRAWING PRINTED ON: 9/14/2011

5

4

3

2

1

A

A