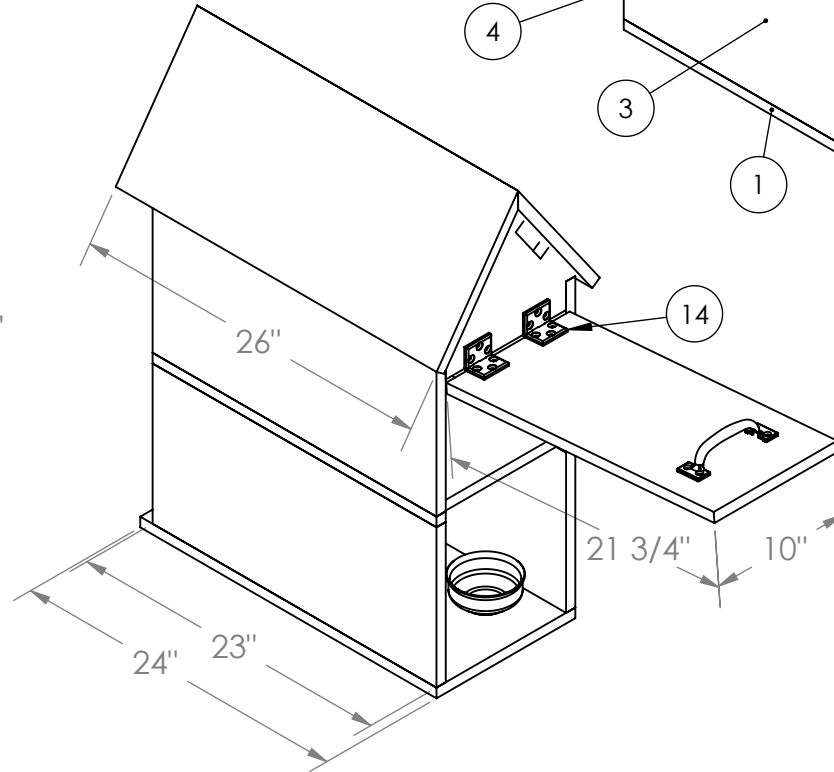
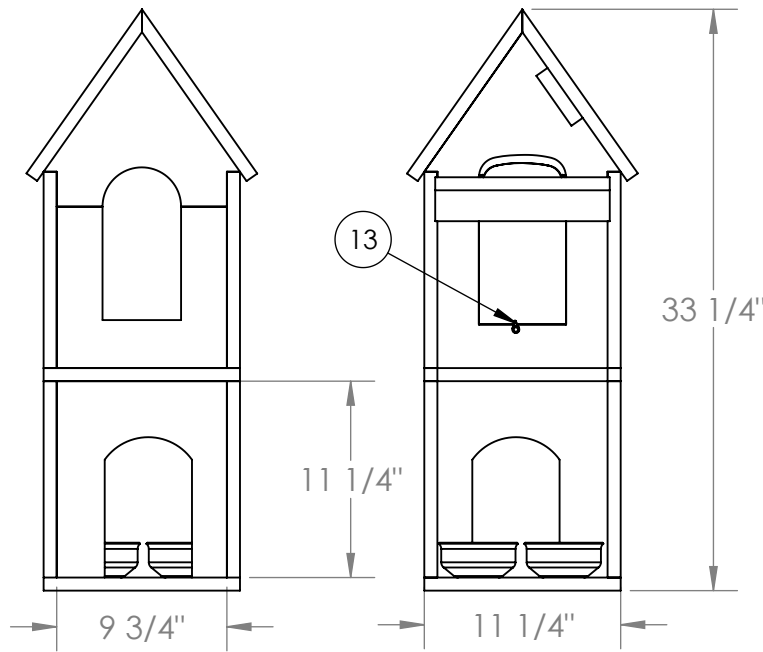
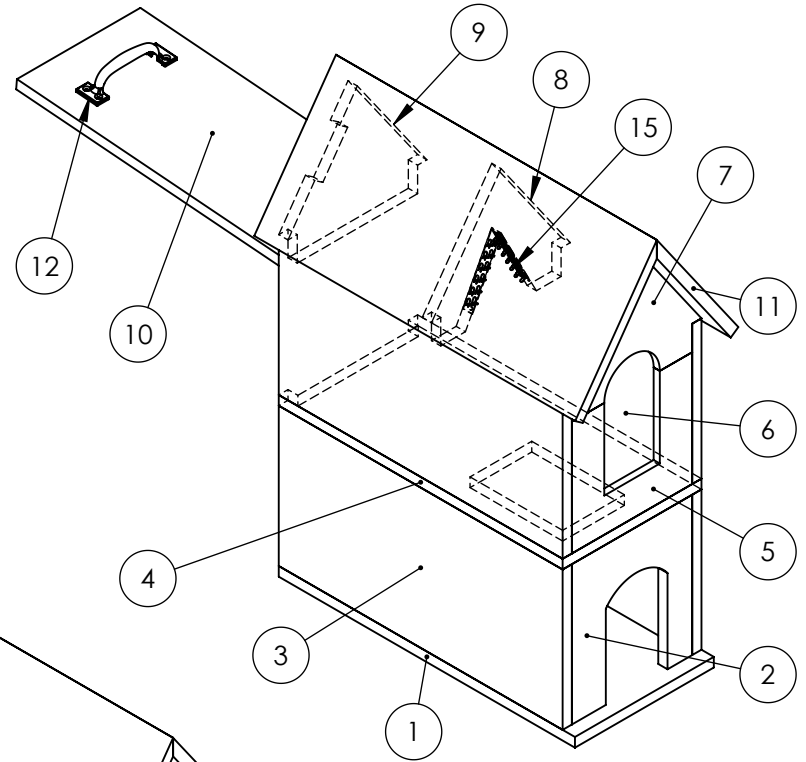
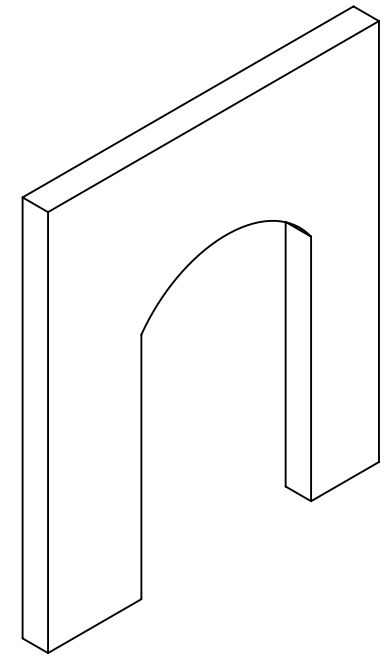
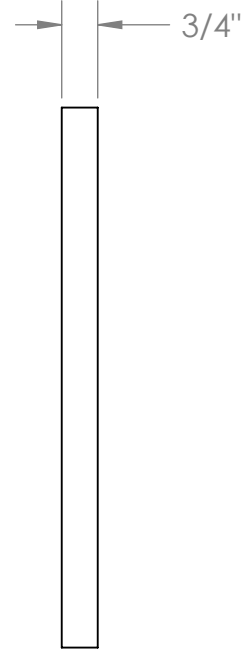
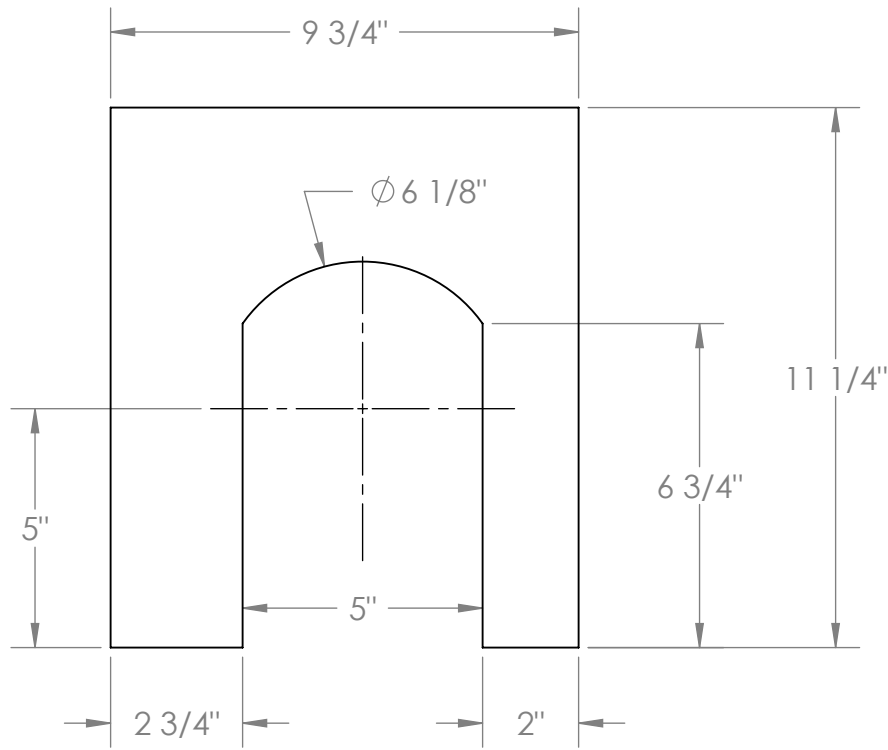


ITEM NO.	PART NAME	DESCRIPTION	QTY.
1	Floor - 1st	11.5" x 24"	1
2	Door Wall	11.5" X 10"	1
3	Side Walls	11.5" x 24"	4
4	Floor - 2nd	11.5 X 24	1
5	Window Wall	10 X 9.5	1
6	Plexiglass	9.25 X 5 X .25	1
7	Rafter - Front	11.5 X 10	1
8	Rafter	11.5 X 10	1
9	Rafter - Back	11.5 X 10	1
10	Back Wall	10 X 21.75	1
11	Roof	11.5 X 26	2
12	Handle		1
13	Glass Holder		2
14	Hinge		2
15	Back Scratch		1

MEASUREMENTS ARE ESTIMATES ONLY, FIGURE YOUR OWN MEASUREMENTS WHEN BUILDING.



DESC FILE#	Cat House		
	Cat House		
ASSEMBLY	WEIGHT: 25.68	SHEET 1 OF 12	



DESC FILE#	Door Wall		
	11.5" X 10"		
	Pine	WEIGHT: 0.66	SHEET 2 OF 12



5

4

3

2

1

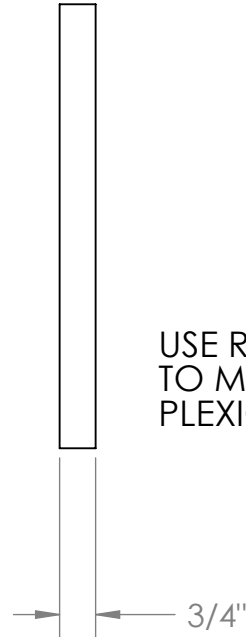
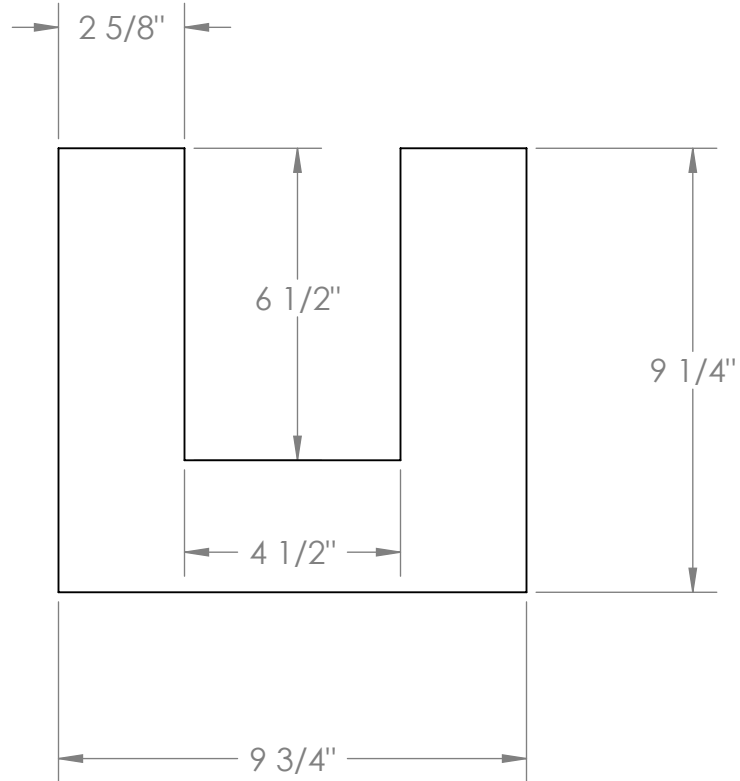
E

D

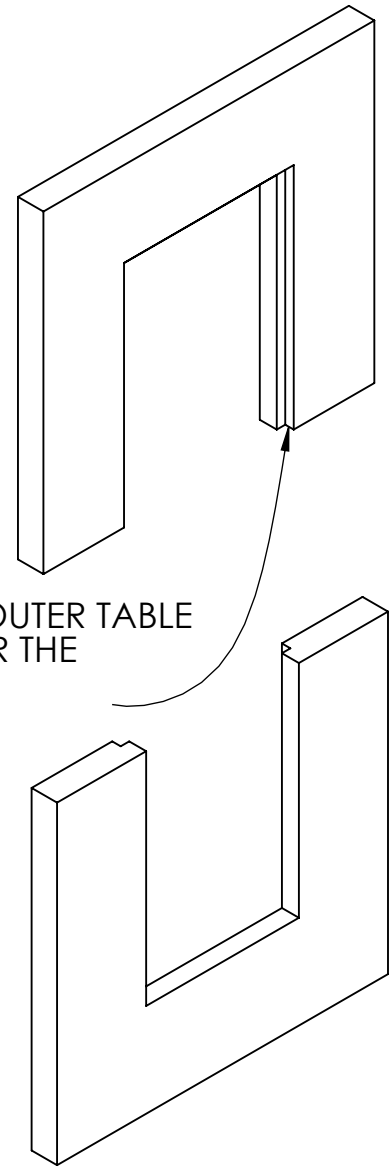
C

B

A



USE RABBET BIT AND ROUTER TABLE TO MAKE THE INSET FOR THE PLEXIGLASS WINDOW.



E

D

C

B

A

DESC: FILE#	Window Wall		
	10 X 9.5		
	Pine	WEIGHT: 0.55	SHEET 3 OF 12
	2	1	



11 1/4"

24"

DESC FILE#	Floor - 1st			 <b>B3D</b>
	11.5" x 24"			
	Pine	WEIGHT: 2.49	SHEET 4 OF 12	

5

4

3

2

1

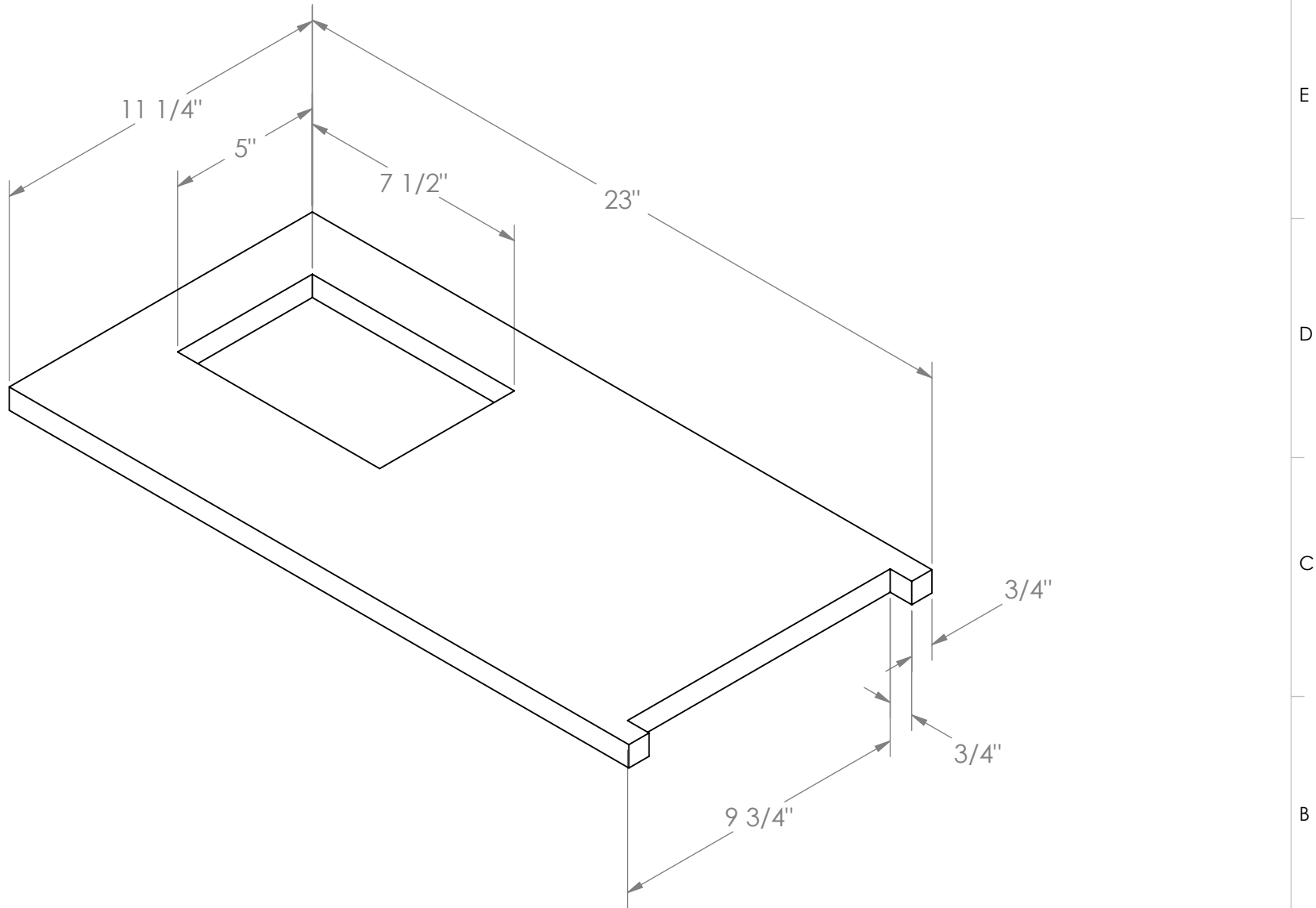
E


D

C

B

A



DESC FILE#	Floor - 2nd		
	11.5 X 24		
	Pine	WEIGHT: 1.97	SHEET 5 OF 12

5

4

3

2

1

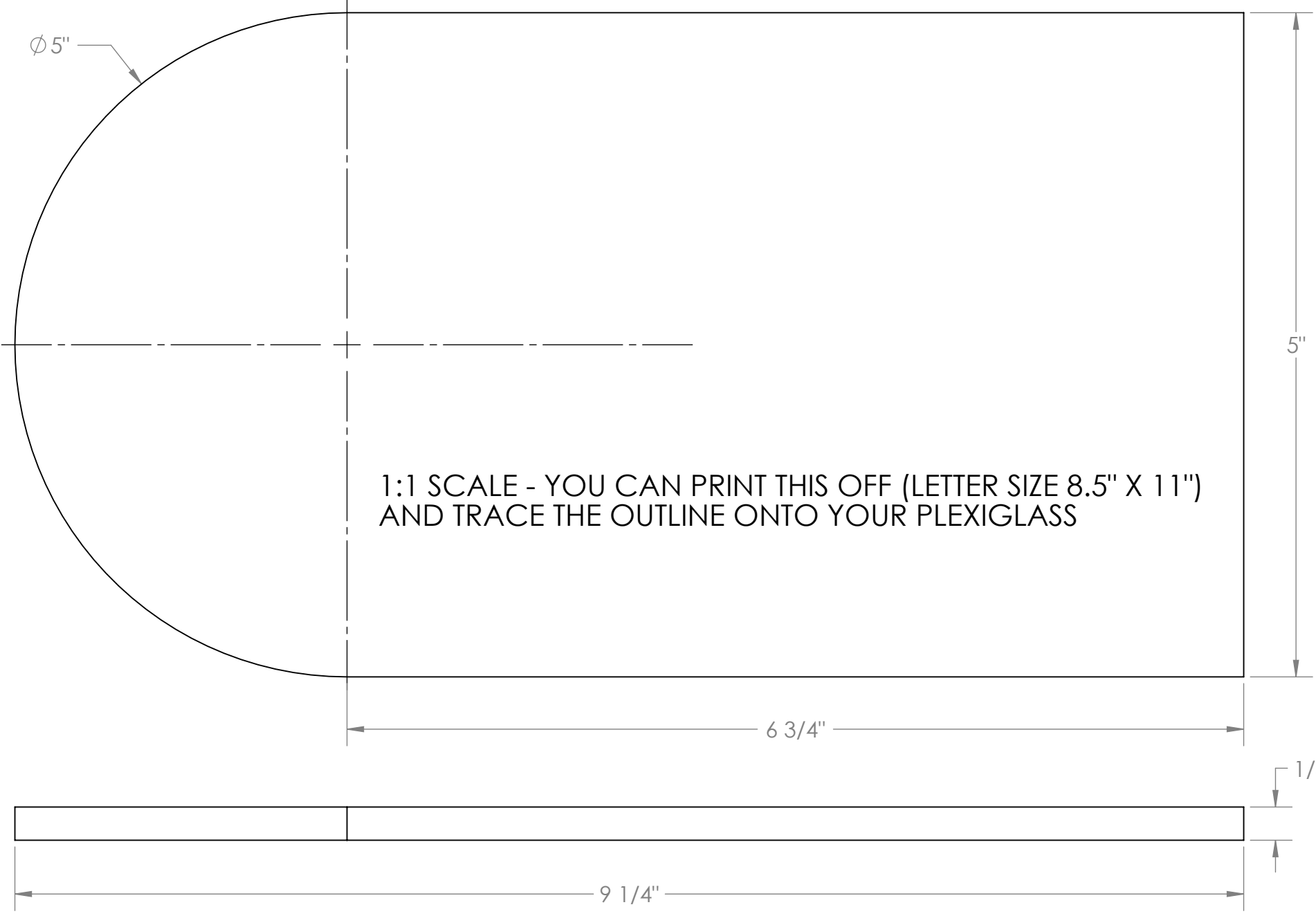
E

D

C

B

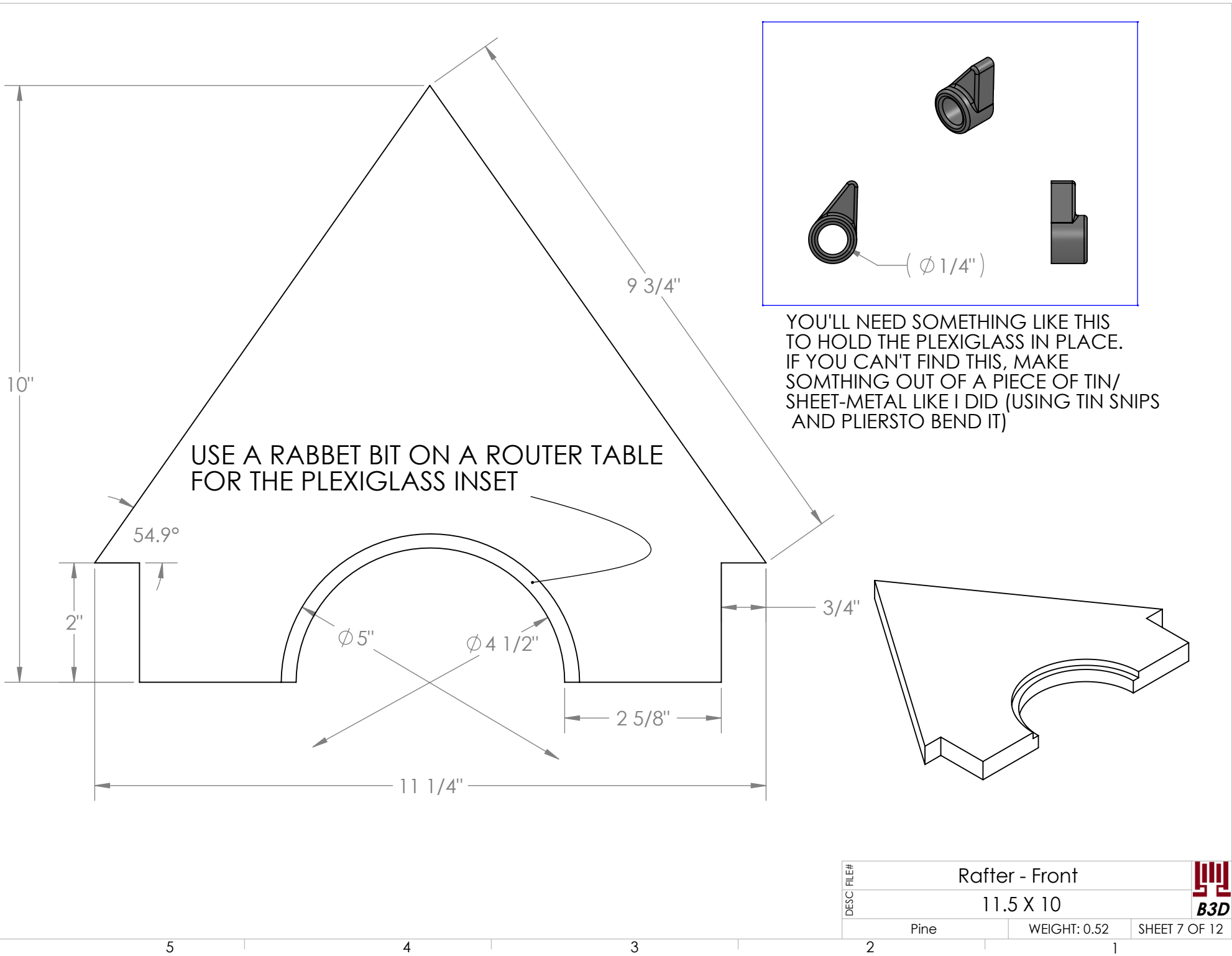
A



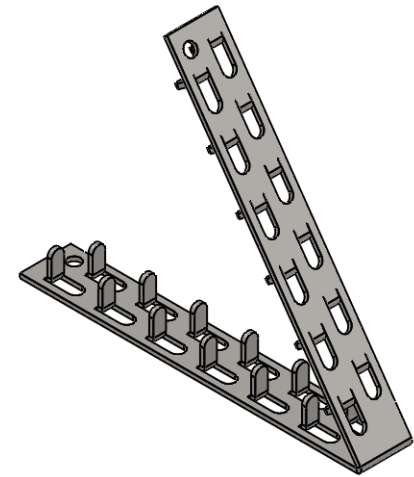
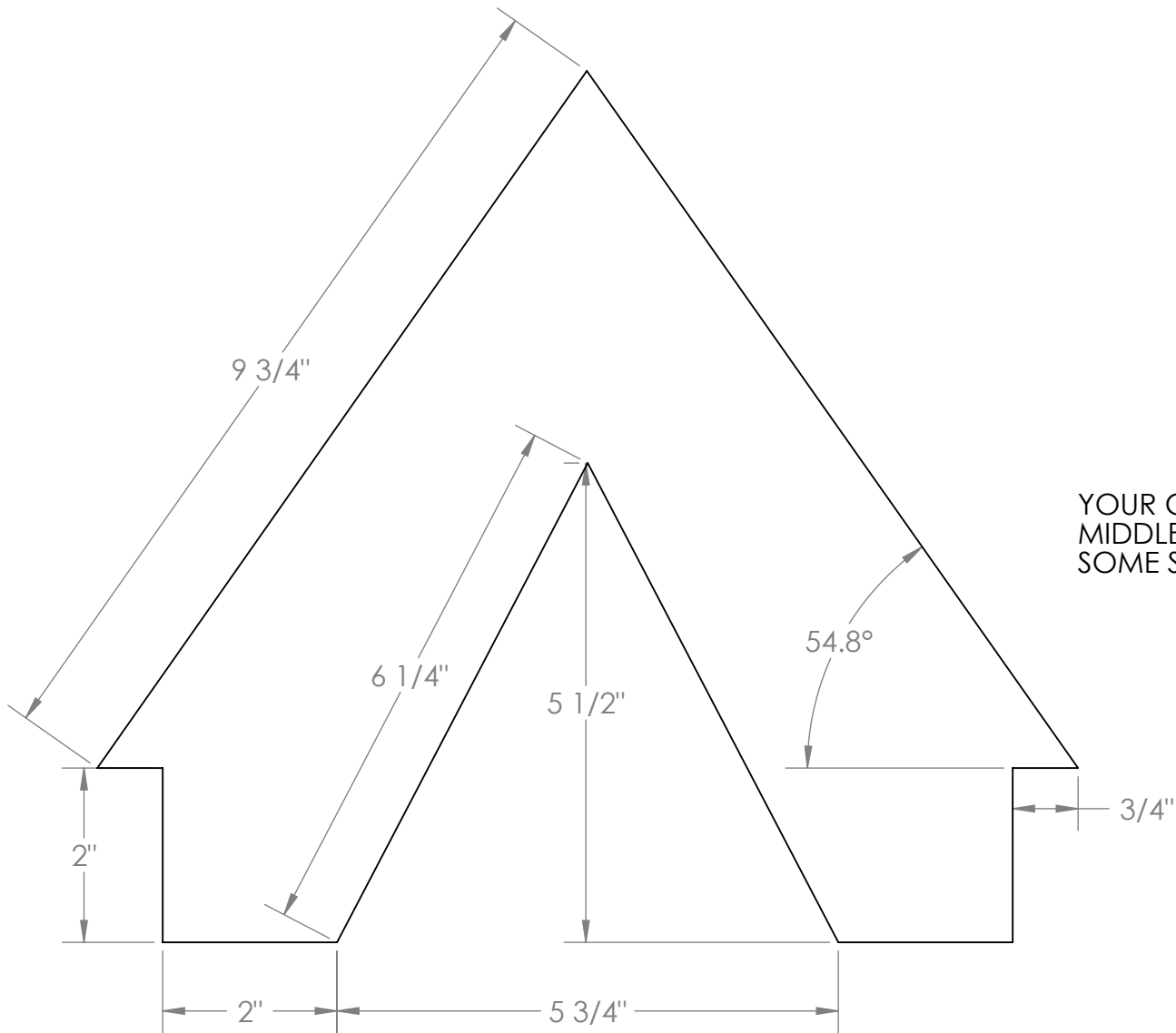
1:1 SCALE - YOU CAN PRINT THIS OFF (LETTER SIZE 8.5" X 11")  
 AND TRACE THE OUTLINE ONTO YOUR PLEXIGLASS

DESC FILE#	Plexiglass		
	9.25 X 5 X .25		
	PLEXIGLASS	WEIGHT: 0.47	SHEET 6 OF 12

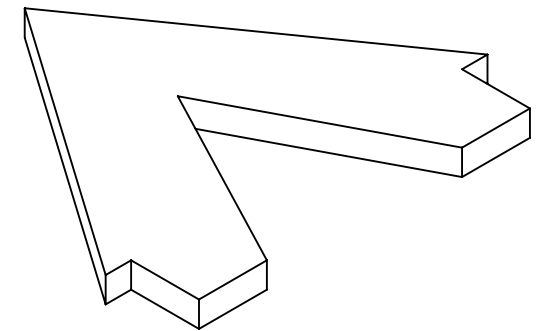




DESC FILE#	Rafter - Front		
	11.5 X 10		
	Pine	WEIGHT: 0.52	SHEET 7 OF 12
	2	1	



YOUR CAT'S LIKELY TO RUB AGAINST THIS MIDDLE RAFTER, CONSIDER INSTALLING SOME SORT OF "BACK SCRATCHER".

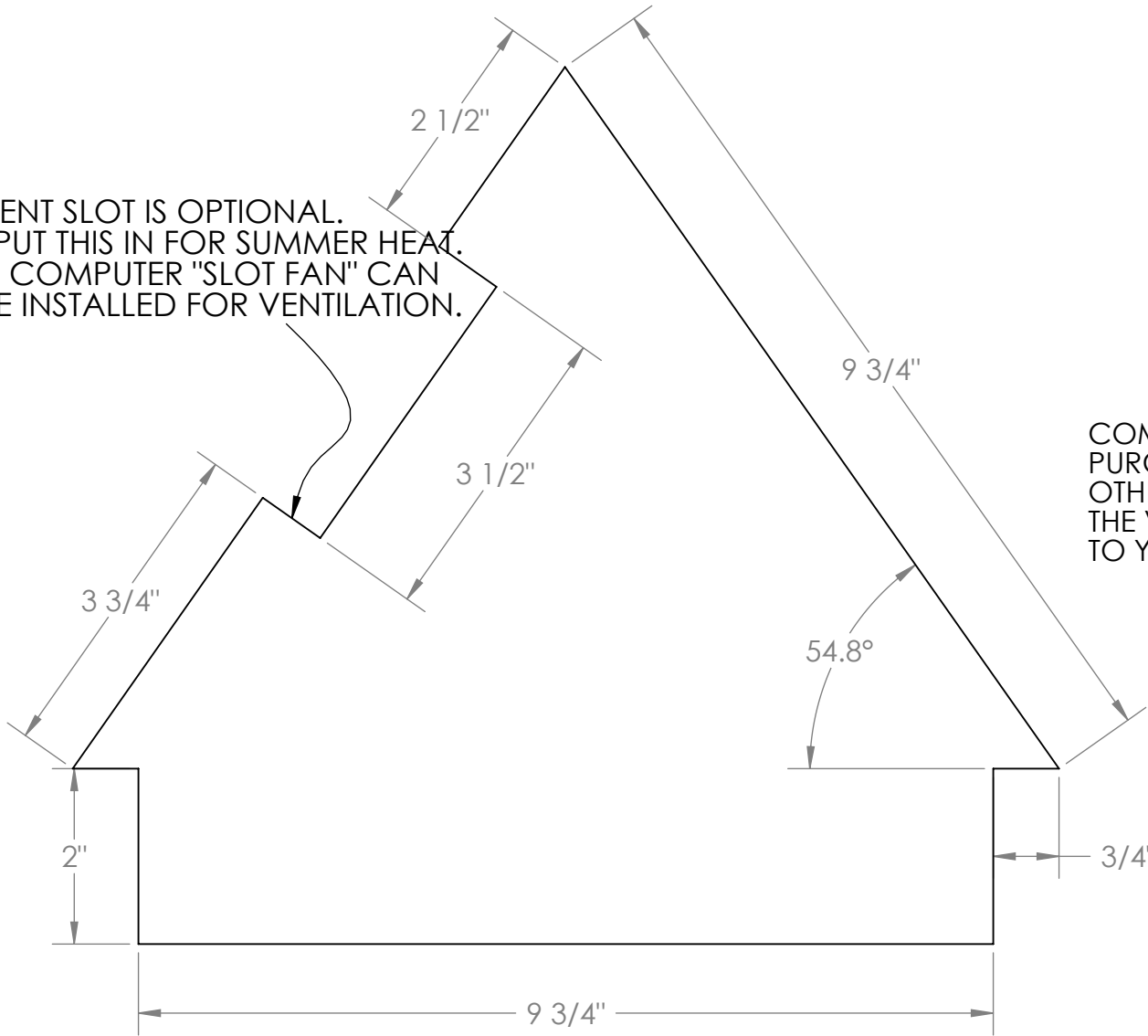


DESC FILE#	Rafter		
	11.5 X 10		
	Pine	WEIGHT: 0.45	SHEET 8 OF 12

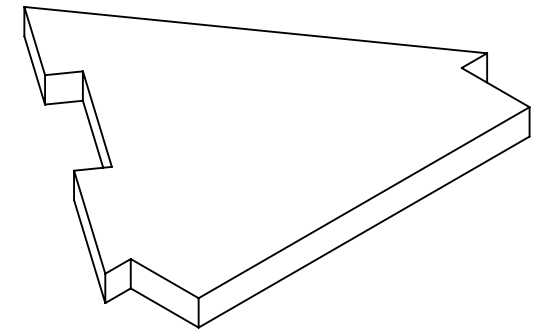




VENT SLOT IS OPTIONAL.  
I PUT THIS IN FOR SUMMER HEAT.  
A COMPUTER "SLOT FAN" CAN  
BE INSTALLED FOR VENTILATION.

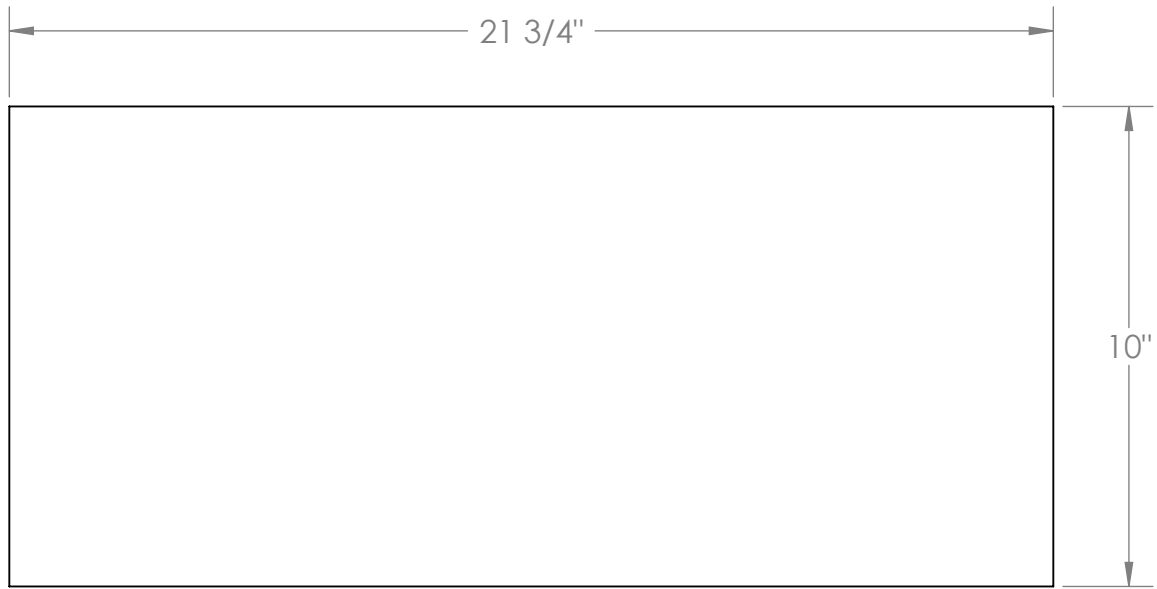


COMPUTER CASE SLOT FAN - CAN BE  
PURCHASED FROM "NEWEGG.COM" OR  
OTHER COMPUTER STORE. THIS WILL FIT  
THE VENT SLOT, BUT WILL NEED TO BE WIRED  
TO YOUR OUTLET (AT YOUR OWN RISK).



DESC FILE#	Rafter - Back		
	11.5 X 10		
	Pine	WEIGHT: 0.57	SHEET 9 OF 12





E

D

C

B

A

DESC FILE#	Back Wall			 <b>B3D</b>
	10 X 21.75			
	Pine	WEIGHT: 2.00	SHEET 10 OF 12	
	2		1	

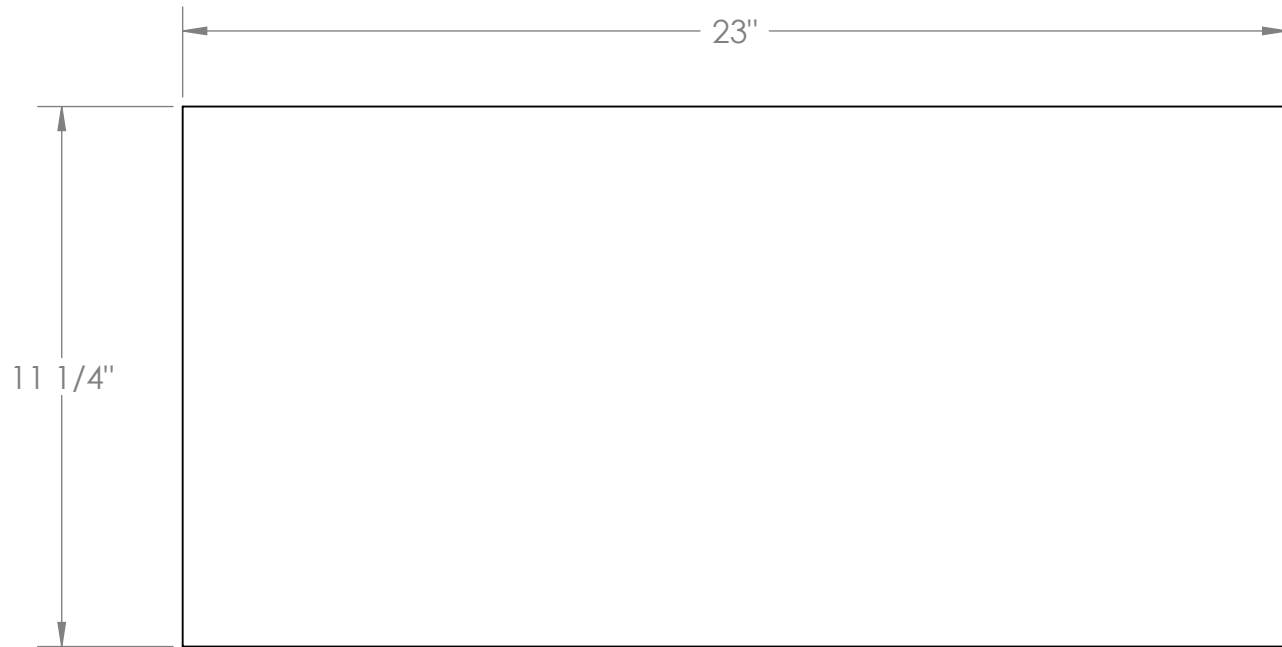
5

4

3

2

1



E

D

C

B

A

DESC FILE#	Side Walls		
	11.5" x 24"		
2	Pine	WEIGHT: 2.38	SHEET 11 OF 12



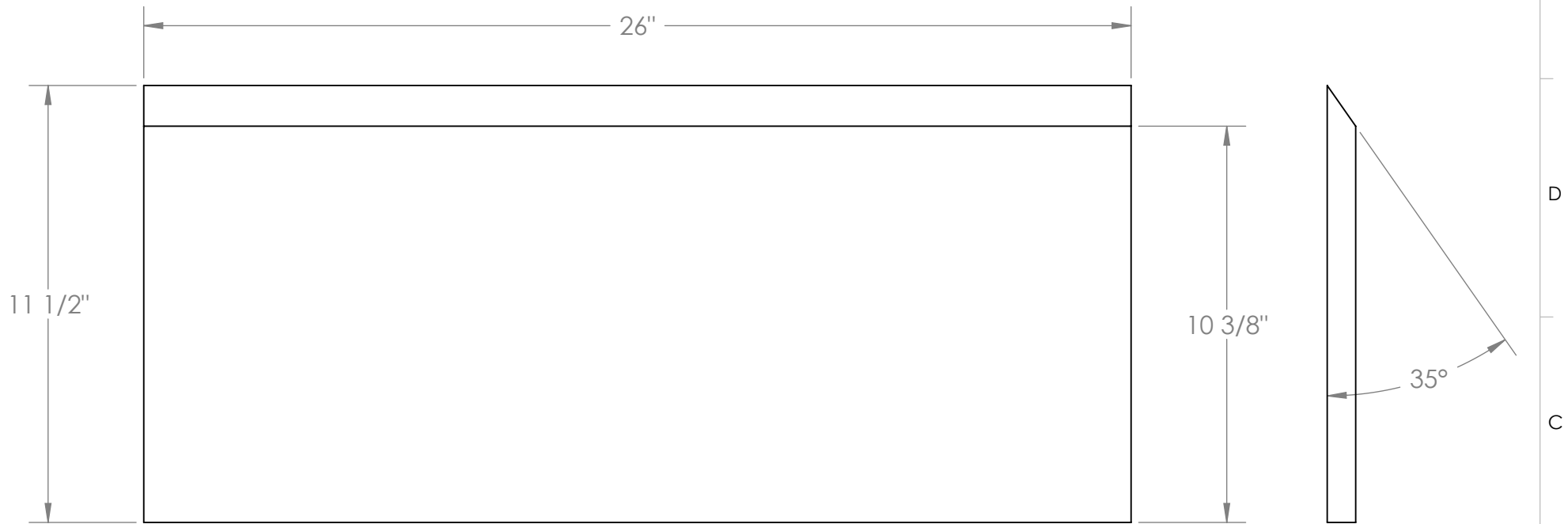
5

4

3

2

1



USE A TABLE SAW TO CUT THE ANGLE ON THE ROOF PIECES.  
THE DEGREE SHOWN MAY VARY, SO MEASURE AND CUT ACCORDINGLY

AT FABRICATION:  
MAKE MOST OF THE ROOF OVERHANG IN THE FRONT. OTHERWISE IT WILL INTERFERE  
WITH THE BACK WALL/DOOR OPENING.

DESC FILE#	Roof		
	11.5 X 26		
	Pine	WEIGHT: 2.63	SHEET 12 OF 12
	2		1



E

D

C

B

A

5

4

3

2

1