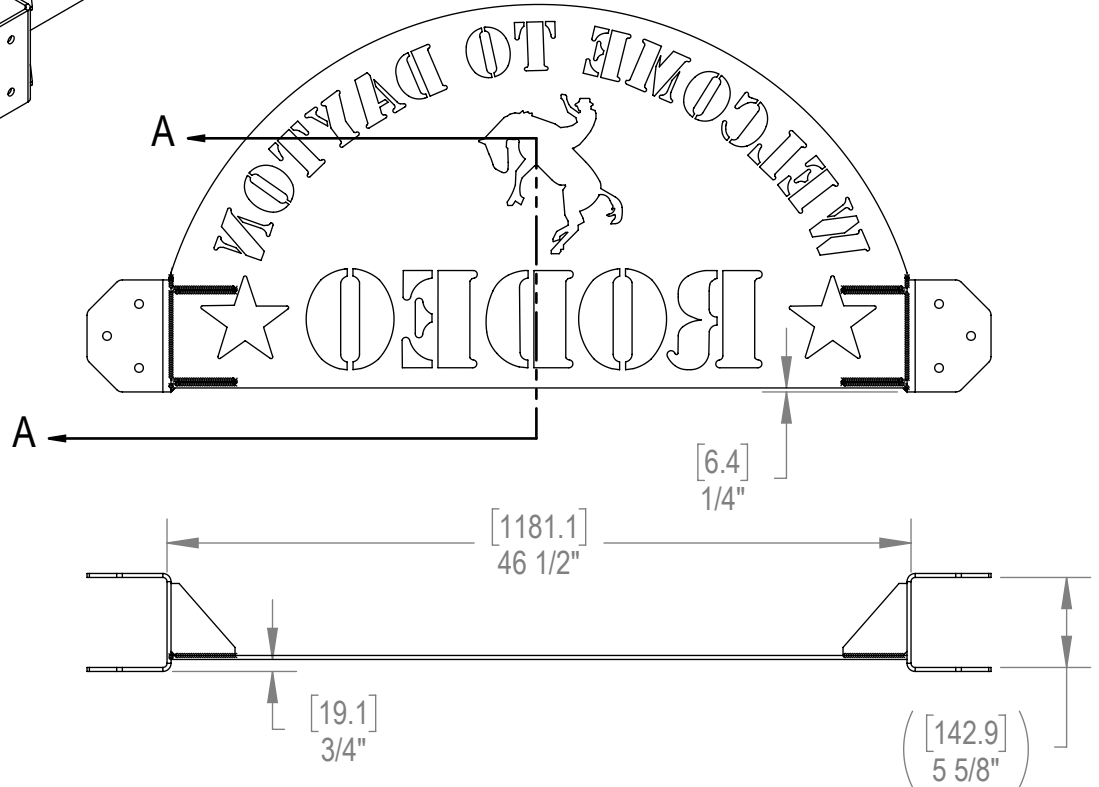
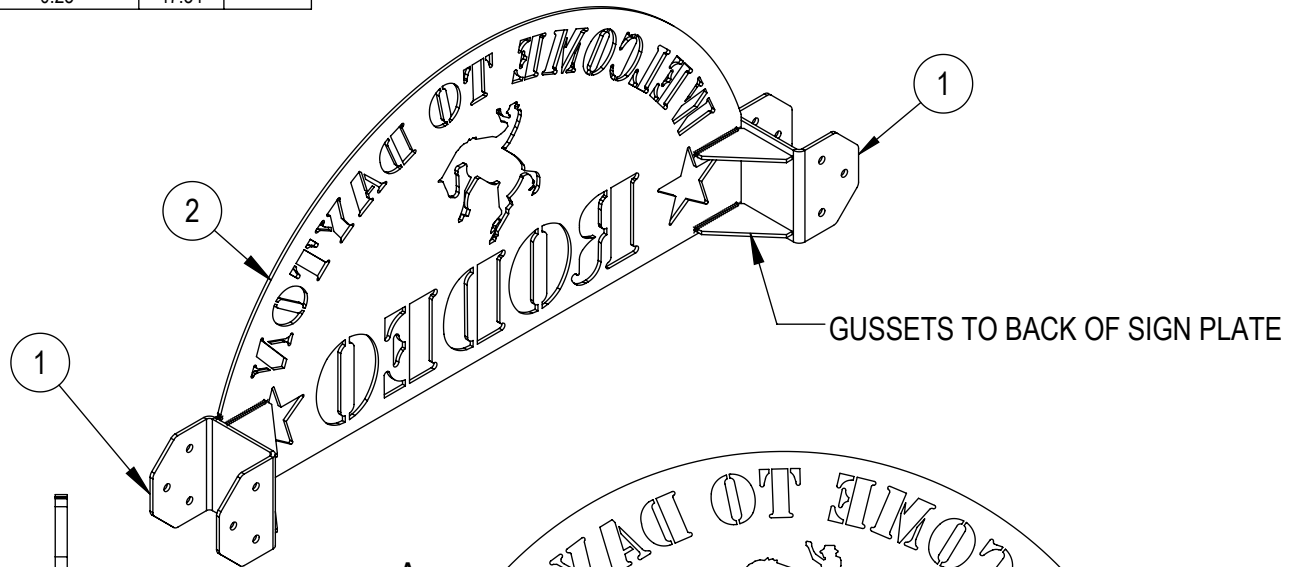


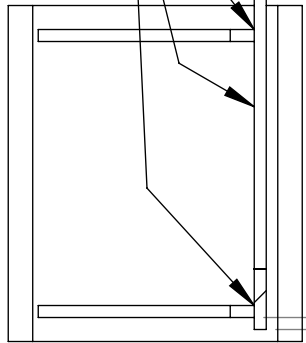
#	CAD FILE NAME	DESCRIPTION	QTY.	MATERIAL (DIMENSIONAL)	WEIGHT (LBS)	LENGTH (FT)
1	DR110	SUBWMT, 6X6 SIGN POST BRACKET	2	SUBWELDMENT	8.72	
2	DR102	SIGN, DAYTON RODEO VSN2	1	0.25	47.34	



2X BRACKETS

1/4"
1/4"

SECTION A-A
SCALE 1 : 4



[6.4]
1/4"

FILE#	DR130	
DESC	SIGN POSTS WMT, DAYTON RODEO, 46"WIDE	
AUTH: KKB	DATE: 8/16/2016	WT(lbs): 64.79
		SHEET 1 OF 1

5

4

3

2

1

E

D

C

B

A